

KoBe™ Dirt-trapping mats



Applications

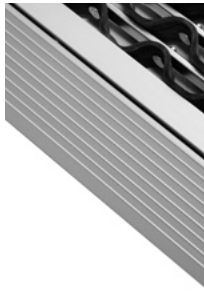
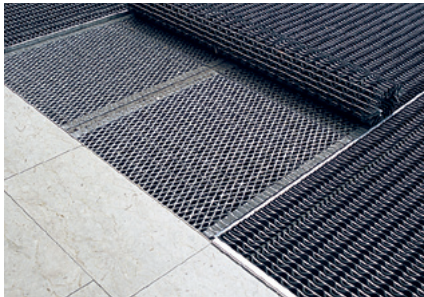
The KoBe dirt-trapping mat is suitable for indoor and outdoor use. The mat can be turned over and can be used on both sides.

The benefits at a glance

- Made of aluminium bars and rubber strips
- fixed with steel wire
- The rubber is flexible and temperature-resistant
- Hard-wearing and durable
- Reduces cleaning expenses
- Available with or without frame

Instruction for use and cleaning

- The mats can be loose laid or installed
- The mat can be cleaned with high pressure cleaners



Properties



In conformity with REACH



Outdoor use



High durability



Coarse dirt trapping

Specifications

Sizes: 58.5 x 38.5 cm, 78,5 x 58.5 cm
98.5 x 78.5, 98,5 x 98.5 cm
118.5 x 78.5 cm
158.5 x 78.5 cm

Customised size
200 x 500 cm

Thickness: 22 mm

Weight: 12.0 kg/m²

Material: Aluminium and rubber

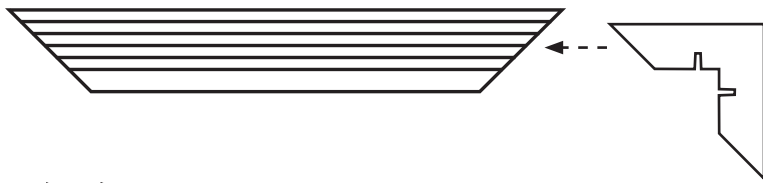
Colors:



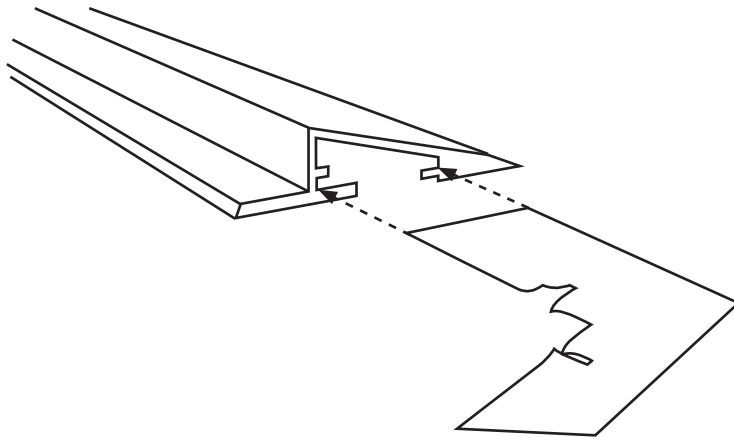
Aluminium



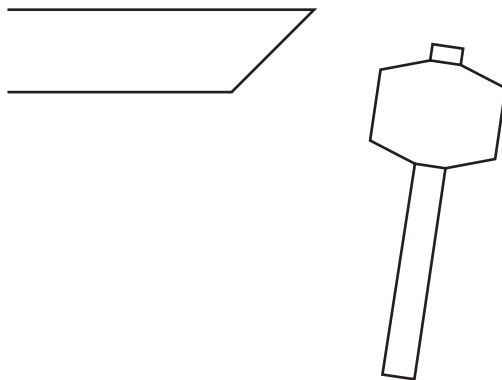
KoBe™ Assembly instructions for frame segment



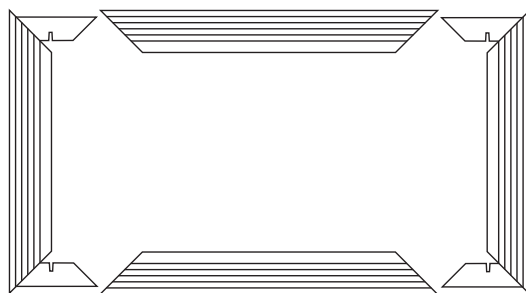
- 1) Die Winkel gerade in die Rahmenteile stecken (markierte Seite nach oben)
- 1) Push the angles straightly into the frame-segments (marked page upward)



Die Rahmenteile besitzen Aussparungen für die Winkel Profile
The frames parts possess recesses for the angles of profiles



- 2) Winkelprofile mit einem Gummihammer fest in den Rahmen klopfen
- 2) knock the angle with a rubber mallet firmly into the frame



- 3) Die anderen Rahmenteile ebenfalls mit den Winkeln verbinden
- 3) Connect the other frame-segments with the angles too

